



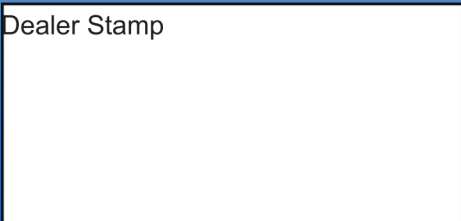
## Extreme 750kg Inflatable Trailer

- Two pairs of 2.4 metre carpeted bunks
- 10" wheels and tyres
- 1400lb Dutton Lainson winch
- 42mm heavy duty jockey wheel
- 4 carpeted keel pads



Carrying capacity: 550kg  
Suitable length up to: 5.3m

Dealer Stamp





## Standard features include:

- AL-KO axles fitted with waterproof sealed bearings
- AL-KO coupling
- Carpeted Bunks
- Extendable lightboard arms
- Carpeted keel pads
- Heavy duty fixed height winch post
- Ubolt construction allows total adjustment

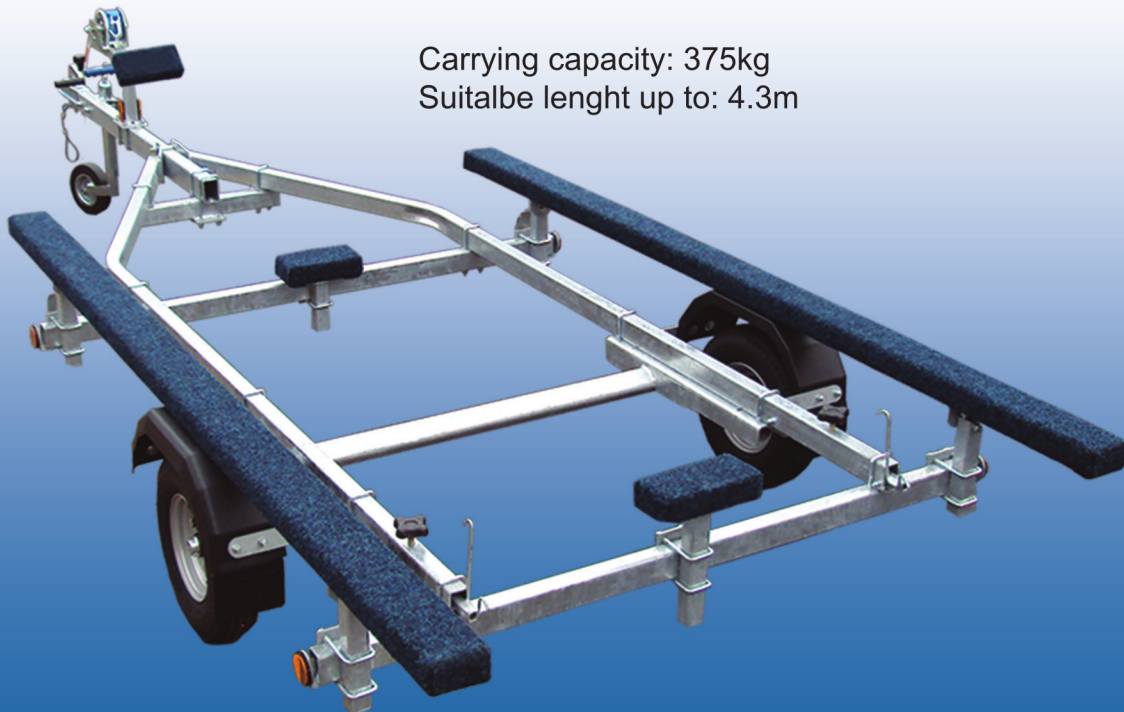
## Extreme 350kg Inflatable Trailer

- 1.8 metre carpeted bunks
- 8" wheels and tyres
- 900lb Dutton Lainson winch
- 48mm heavy duty jockey wheel
- 3 carpeted keel pads



Carrying capacity: 255kg  
Suitable length up to: 3.8m

Carrying capacity: 375kg  
Suitable length up to: 4.3m



## Extreme 500kg Inflatable Trailer

- 2.4 metre carpeted bunks
- 10" wheels and tyres
- 900lb Dutton Lainson winch
- 48mm heavy duty jockey wheel
- 3 carpeted keel pads